

1) CONSTRUCTION:		NOM. DIA.
CONDUCTOR:	24 AWG 7/32 STRANDED TINNED COPPER	.024"
INSULATION:	LOW DENSITY POLYETHYLENE, .015" NOM. WALL THICKNESS	.054"
PAIRS:	COLOR CODED SINGLES TWISTED INTO PAIRS	.108"
CABLE:	(2) TWISTED PAIRS TWISTED TOGETHER TO FORM A CABLE CORE.	.160"
SHIELD:	ALUMINIZED POLYESTER FOIL SHIELD (FOIL OUT, 100% COVERAGE) WITH A 24 AWG STRANDED TINNED COPPER DRAIN WIRE CONTACTING THE METALIZED SURFACE FOR EASY TERMINATION. A SECOND SHIELD OF 36 AWG TINNED COPPER BRAID (65% MINIMUM COVERAGE) SHALL BE APPLIED OVER THE FOIL SHIELD.	.186"
JACKET:	POLYVINYLCHLORIDE, CHROME GRAY, .032" NOM. WALL THICKNESS	
	OVERALL CABLE DIAMETER	.250" (BY PI TAPE)
	(NOM. O.D. ACROSS WIDEST CROSS SECTION)	.306"

2) PHYSICAL PROPERTIES:	
TEMPERATURE RATING, MAX.	60°C, 75°C & 80C
TEMPERATURE RATING, MIN.	-20°C
WT./M', NOM., NET.	35.1 LBS.

3) ELECTRICAL CHARACTERISTICS:	
CAPACITANCE, MUTUAL, NOM.	14.0 PF/FT.
CAPACITANCE, GROUNDED, NOM.	25.9 PF/FT.
DIELECTRIC WITHSTANDING, MIN.	1500V RMS
VOLTAGE RATING, MAX.	300V
D.C. RESISTANCE, MAX. PER ASTM B286	26.2 Ω /1,000'
CHARACTERISTIC IMPEDANCE, NOM.	110 Ω

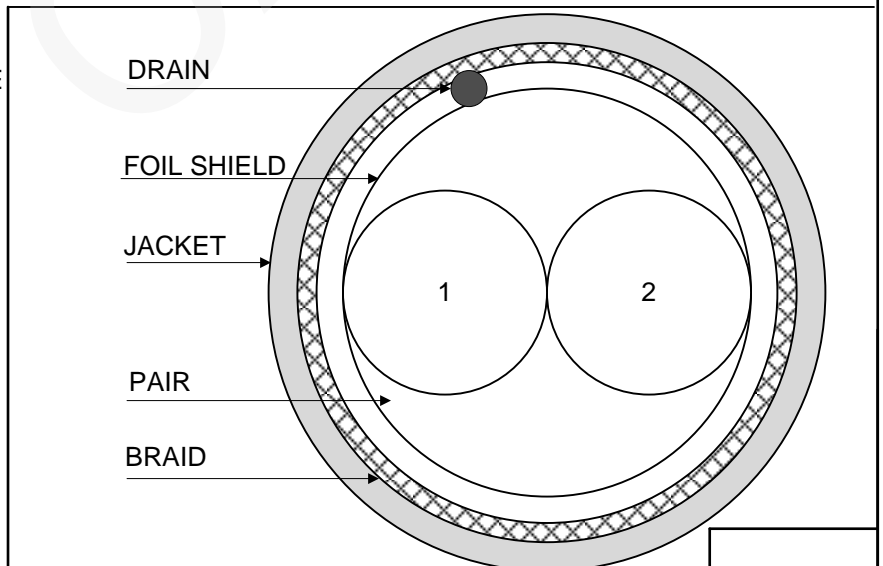
- 4) AGENCY APPROVALS:
- NEC (UL) TYPE CM
  - UL AWM STYLE 2448 80C 30V
  - CSA TYPE CMG

5) APPLICATION:  
 LOW CAPACITANCE RS-422 AND RS-485 COMPUTER INTERCONNECT, EXTENDED DISTANCE CABLE  
 RoHS COMPLIANT MATERIALS.

6) PRINT:  
 QUABBIN 8304 (UL) TYPE CM 24 AWG 75C SHIELDED OR AWM 2448 -- LOW VOLTAGE COMPUTER CABLE -- CSA LL51726 TYPE CMG 60C -- RoHS -- **(LOT DESIGNATOR)**

- 7) COLOR CODE:
- 1. BLACK X BLACK/WHITE
  - 2. WHITE X WHITE/BLACK

8) PACKAGING:  
 TO BE PACKAGED AS PER QWC'S STANDARD PACKAGING



Created 08/09/05	DRAWN: SGH 05/18/21	
REV. 08	CHECKED: JFR 05/18/21	
TITLE 4/C 2PR 24 AWG PE/PVC SHIELDED -- TYPE CM, AWM 2448, CSA CMG		
QUABBIN P/N	8304	1 of 1

CUSTOMER APPROVAL:

DATE: