

1) CONSTRUCTION:

CONDUCTOR:	24 AWG 7/32 STRANDED TINNED COPPER	NOM. DIA.	.024"
INSULATION:	SEMI-RIGID POLYVINYLCHLORIDE, .010" NOM. WALL THICKNESS		.044"
PAIR:	COLOR CODED SINGLES TWISTED INTO A PAIR		.088"
SHIELD:	ALUMINIZED POLYESTER FOIL SHIELD, (FOIL OUT, 100% COVERAGE) WITH A 24 AWG STRANDED TINNED COPPER DRAIN WIRE CONTACTING THE METALIZED SURFACE FOR EASY TERMINATION.		.091"
JACKET:	POLYVINYLCHLORIDE, CHROME GRAY, .032" NOM. WALL THICKNESS	OVERALL CABLE DIAMETER	.155"

2) PHYSICAL PROPERTIES:

TEMPERATURE RATING, MAX.	60°C & 80°C
TEMPERATURE RATING, MIN.	-20°C
WT./M', NOM., NET.	13.9 LBS.
JACKET IS SUNLIGHT AND UV RESISTANT	

3) ELECTRICAL CHARACTERISTICS:

CAPACITANCE, MUTUAL, NOM.	40 PF/FT.
CAPACITANCE, GROUNDED, NOM.	74 PF/FT.
DIELECTRIC WITHSTANDING, MIN.	2000V RMS
VOLTAGE RATING, MAX.	300V
D.C. RESISTANCE, MAX. PER ASTM B286	26.2 Ω/1,000'

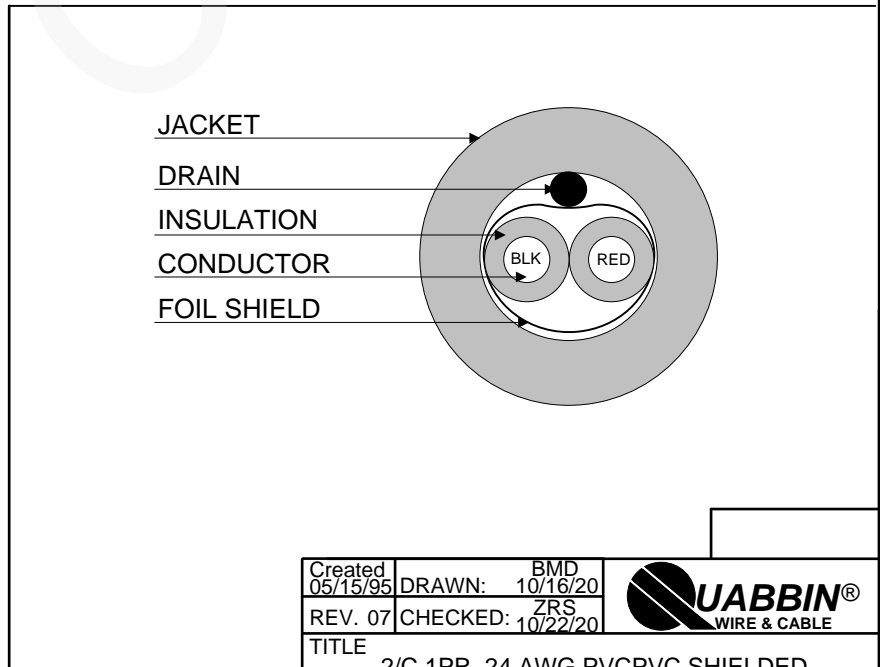
4) AGENCY APPROVALS:
 NEC (UL) TYPE CM
 UL AWM STYLE 2464
 CSA AWM FT4

5) APPLICATION:
 RS-232 COMPUTER INTERCONNECT, AUDIO, AND INSTRUMENTATION CABLE.
 RoHS COMPLIANT MATERIALS.

6) PRINT:
 QUABBIN 8105 (UL) TYPE CM 24 AWG SHIELDED OR AWM 2464 -- CSA LL51726 AWM I/II A/B 80C 300V FT4 --
 RoHS -- **(LOT DESIGNATOR)**

7) COLOR CODE:
 1) BLACK X RED

8) PACKAGING:
 TO BE PACKAGED AS PER QWC'S
 STANDARD PACKAGING



Created 05/15/95	DRAWN: 10/16/20	
REV. 07	CHECKED: 10/22/20	
TITLE		
2/C 1PR. 24 AWG PVC/PVC SHIELDED -- TYPE CM, AWM 2464, CSA AWM FT4		
QUABBIN P/N	8105	1 of 1

CUSTOMER APPROVAL:

DATE: