

1) CONSTRUCTION:

CONDUCTOR:	14 AWG 41/30 STRANDED TINNED COPPER	NOM. DIA.	.070"
INSULATION:	POLYVINYLCHLORIDE, .016" NOM. WALL THICKNESS		.102"
CABLE:	(5) COLOR CODED SINGLES TWISTED TOGETHER WITH FILLER AND WRAPPED WITH A CLEAR POLYESTER BINDER TO FORM A CABLE CORE.		.275"
SHIELD:	AN OVERALL ALUMINUM POLYESTER FOIL SHIELD (FOIL IN, 100% COVERAGE) SHALL BE APPLIED OVER THE CABLE CORE AND SHALL INCLUDE A 14 AWG 41/30 STRANDED TINNED COPPER DRAIN WIRE IN CONTACT WITH THE METALIZED SURFACE.		.317"
RIPCORD:	INCLUDED UNDER JACKET FOR STRIPPING		
JACKET:	POLYVINYLCHLORIDE, CHROME GRAY, .032" NOM. WALL THICKNESS. OVER ALL CABLE DIAMETER		.381"

2) PHYSICAL PROPERTIES:

TEMPERATURE RATING, MAX.	105° C
TEMPERATURE RATING, MIN.	-40° C (MANUFACTURER'S RECOMMENDED)
WT./M', NOM., NET.	115.1 LBS.

3) ELECTRICAL CHARACTERISTICS:

CAPACITANCE, MUTUAL, NOM.	41 PF/FT.
CAPACITANCE, GROUNDED, NOM.	75 PF/FT.
DIELECTRIC WITHSTANDING, MIN.	2000V RMS
VOLTAGE RATING, MAX.	600V
D.C. RESISTANCE, MAX. PER ASTM B286	2.94 Ω/1000 FT

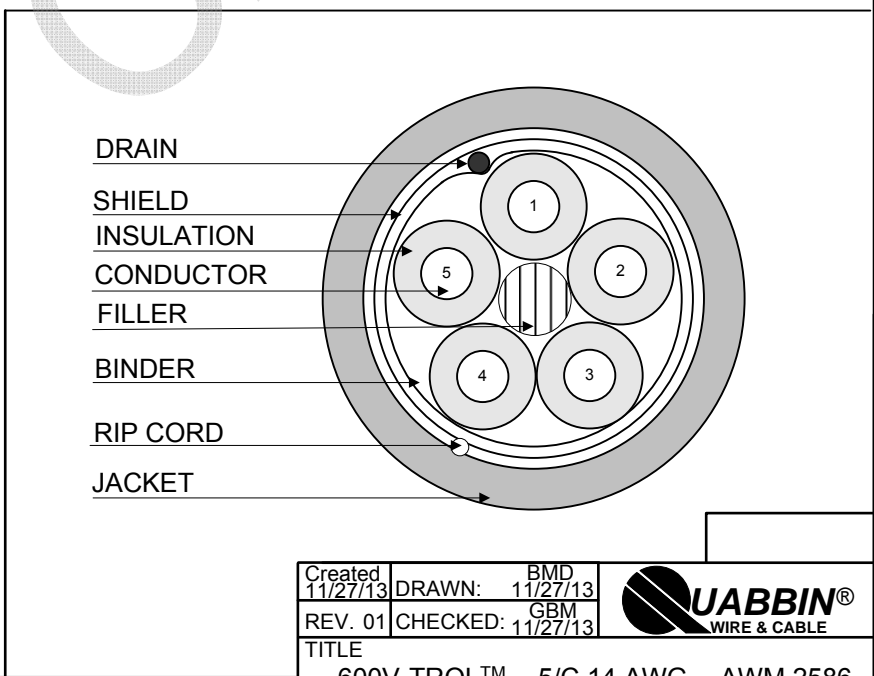
4) AGENCY APPROVALS:
 CSA AWM FT4
 UL AWM STYLE 2586 105C 600V

5) APPLICATION:
 INDUSTRIAL CONTROLS, MEDICAL ELECTRONICS AND OTHER APPLICATIONS WHERE A COMPACT 600V RATED CABLE IS REQUIRED. RoHS COMPLIANT MATERIALS.

6) PRINT:
 600V-TROL™ E69976 **U** AWM 2586 VW-1 -- CSA LL51726 AWM I/II A/B 105C 600V FT4 -- RoHS --
(LOT DESIGNATOR)

7) COLOR CODE:
 1. BLACK
 2. BROWN
 3. RED
 4. ORANGE
 5. YELLOW

8) PACKAGING
 TO BE PACKAGED AS PER QWC'S
 STANDARD PACKAGING



Created 11/27/13	DRAWN: BMD 11/27/13	
REV. 01	CHECKED: GBM 11/27/13	
TITLE 600V-TROL™ -- 5/C 14 AWG -- AWM 2586, CSA AWM FT4 CABLE -- SHIELDED		
QUABBIN P/N	0844	1 of 1

CUSTOMER APPROVAL: _____ DATE: _____