


1) CONSTRUCTION:		NOM. DIA.
CONDUCTOR:	22 AWG 7/30 STRANDED TINNED COPPER	.030"
INSULATION:	POLYVINYLCHLORIDE, .016" NOM. WALL THICKNESS	.062"
CABLE:	(9) COLOR CODED SINGLES TWISTED TOGETHER WITH FILLER AND WRAPPED WITH A CLEAR POLYESTER BINDER TO FORM A CABLE CORE.	.227"
SHIELD:	AN OVERALL ALUMINUM POLYESTER FOIL SHIELD (FOIL IN, 100% COVERAGE) SHALL BE APPLIED OVER THE CABLE CORE AND SHALL INCLUDE A 22 AWG 7/30 STRANDED TINNED COPPER DRAIN WIRE IN CONTACT WITH THE METALIZED SURFACE.	.243"
RIPCORD:	INCLUDED UNDER JACKET FOR STRIPPING	
JACKET:	POLYVINYLCHLORIDE, CHROME GRAY, .032" NOM. WALL THICKNESS.	
	OVERALL CABLE DIAMETER	.307"

2) PHYSICAL PROPERTIES:	
TEMPERATURE RATING, MAX.	105°C
TEMPERATURE RATING, MIN.	-20°C
WT./M', NOM., NET.	52.9 LBS.
JACKET IS SUNLIGHT RESISTANT	

3) ELECTRICAL CHARACTERISTICS:	
CAPACITANCE, MUTUAL, NOM.	26 PF/FT.
CAPACITANCE, GROUNDED, NOM.	48 PF/FT.
DIELECTRIC WITHSTANDING, MIN	2000V RMS
VOLTAGE RATING, MAX.	600V
D.C. RESISTANCE, MAX. PER ASTM B286	16.7 Ω/1000'

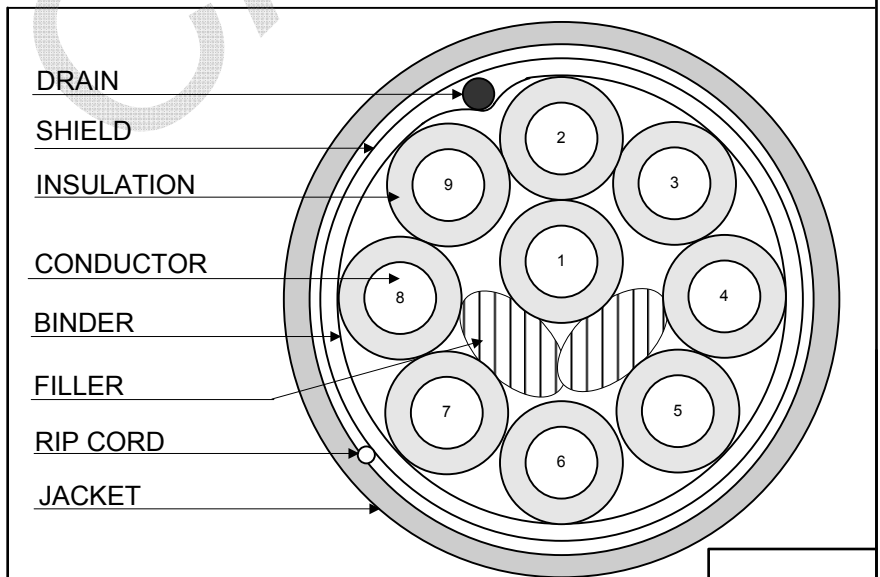
4) AGENCY APPROVALS:
 UL AWM STYLE 2586 105C 600V
 MEETS (UL) VW-1 FLAME TEST
 CSA AWM FT4

5) APPLICATION:
 INDUSTRIAL CONTROLS, MEDICAL ELECTRONICS AND OTHER APPLICATIONS WHERE A COMPACT 600V RATED CABLE IS REQUIRED. RoHS COMPLIANT MATERIALS.

6) PRINT:
 600V-TROL™ E69976  AWM 2586 VW-1 -- CSA LL51726 AWM I/II A/B 105C 600V FT4 -- RoHS -- (LOT DESIGNATOR)


- 7) COLOR CODE:
1. BLACK
 2. BROWN
 3. RED
 4. ORANGE
 5. YELLOW
 6. GREEN
 7. BLUE
 8. VIOLET
 9. GRAY

8) PACKAGING
 TO BE PACKAGED AS PER QWC'S
 STANDARD PACKAGING



CUSTOMER APPROVAL:

DATE:

Created 7/5/12	DRAWN: BMD 7/5/12	
REV. 01	CHECKED: JFR 7/5/12	
TITLE 600V-TROL™ -- 9/C 22 AWG -- AWM 2586, CSA AWM FT4 CABLE -- SHIELDED		
QUABBIN P/N	0806	1 of 1