

1) CONSTRUCTION:

CONDUCTOR:	14 AWG 41/30 STRANDED TINNED COPPER	NOM. DIA.	.070"
INSULATION:	POLYVINYLCHLORIDE, .016" NOM. WALL THICKNESS		.102"
CABLE:	(3) COLOR CODED SINGLES TWISTED TOGETHER WITH FILLER AND WRAPPED WITH A CLEAR POLYESTER BINDER TO FORM A CABLE CORE		.222"
RIPCORD:	INCLUDED UNDER JACKET FOR STRIPPING		
JACKET:	POLYVINYLCHLORIDE, CHROME GRAY, .032" NOM. WALL THICKNESS.		
	OVERALL CABLE DIAMETER		.286" (BY PI TAPE)

2) PHYSICAL PROPERTIES:

TEMPERATURE RATING, MAX.	105°C
TEMPERATURE RATING, MIN.	-20°C
WT./M', NOM., NET.	66.2 LBS.
JACKET IS UV RESISTANT	

3) ELECTRICAL CHARACTERISTICS:

CAPACITANCE, MUTUAL, NOM.	31 PF/FT.
DIELECTRIC WITHSTANDING, MIN.	1500V RMS
VOLTAGE RATING, MAX.	600V
D.C. RESISTANCE, MAX. PER ASTM B286	2.94 Ω/1000'

4) AGENCY APPROVALS:

- UL AWM STYLE 2586 105C 600V
- CSA AWM FT4
- MEETS (UL) VW-1 FLAME TEST

5) APPLICATION:

INDUSTRIAL CONTROLS, MEDICAL ELECTRONICS AND OTHER APPLICATIONS WHERE A COMPACT 600V RATED CABLE IS REQUIRED. RoHS COMPLIANT MATERIALS.

6) PRINT:

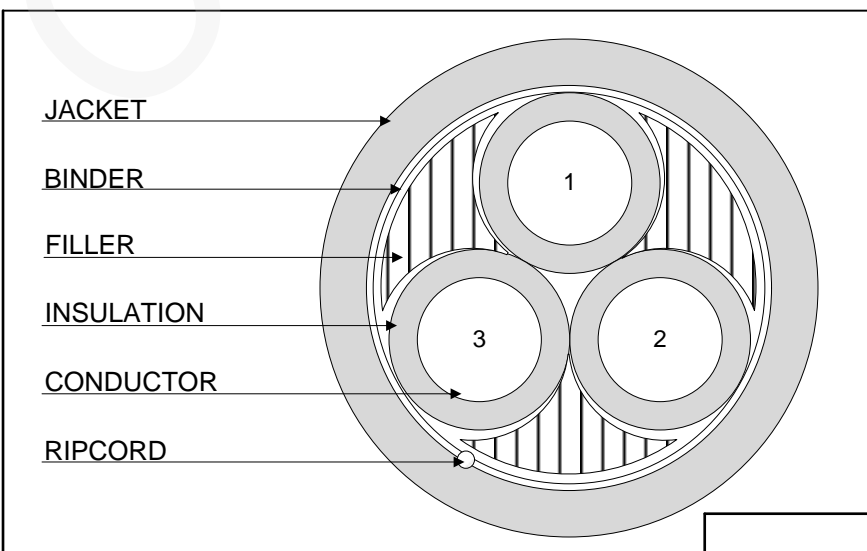
600V-TROL® E69976 **RU** AWM 2586 VW-1 -- CSA LL51726 AWM I/II A/B 105C 600V FT4 -- RoHS -- **(LOT DESIGNATOR)**

7) COLOR CODE:

- 1. BLACK
- 2. BROWN
- 3. RED

8) PACKAGING

TO BE PACKAGED AS PER QWC'S STANDARD PACKAGING



CUSTOMER APPROVAL: _____ DATE: _____

Created 03/31/14	DRAWN: SGH 04/27/21	
REV. 02	CHECKED: JFR 4/27/21	
TITLE 600V-TROL® -- 3/C 14 AWG -- AWM 2586 VW-1, CSA AWM FT4 CABLE		
DRAWING #	0742	1 of 1